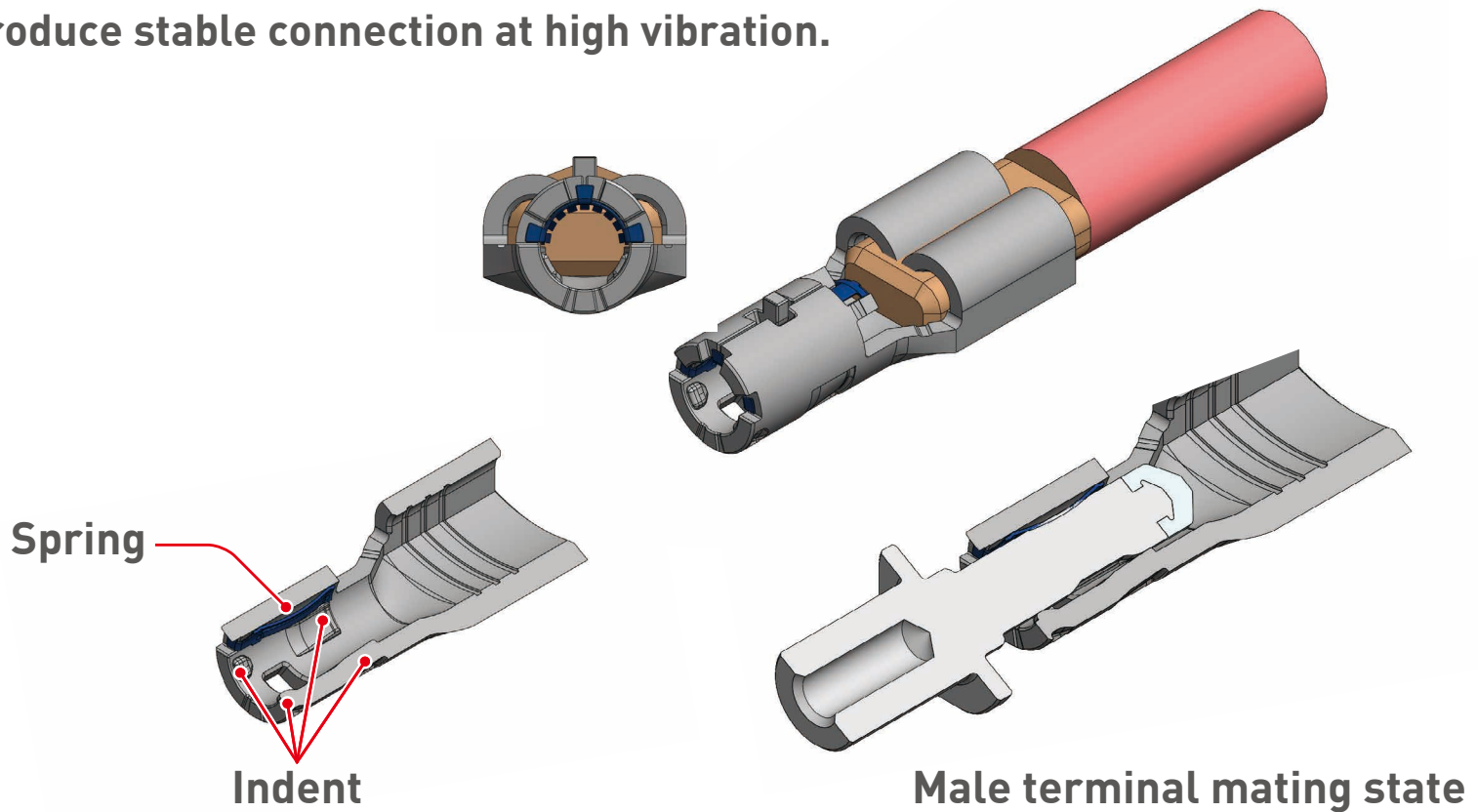


Joint Terminal with Great Vibration Resistance

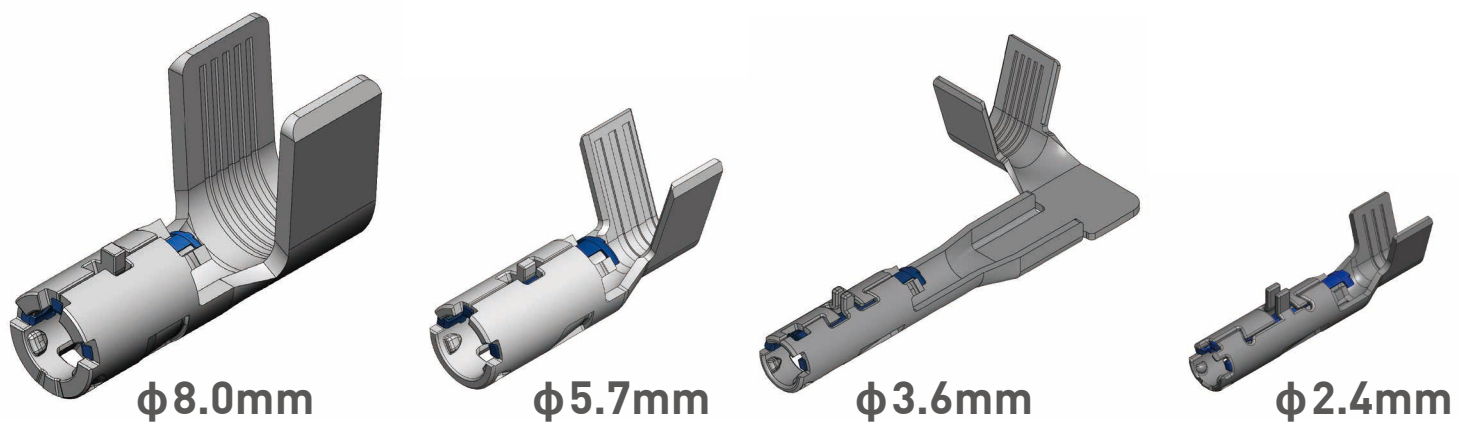
Mass-production

Feature

- Configurational indents strongly hold a male terminal and produce stable connection at high vibration.



Variety of wire size is available by setting various pin size



Connector products with this terminal

