

Ethernet Switching HUB

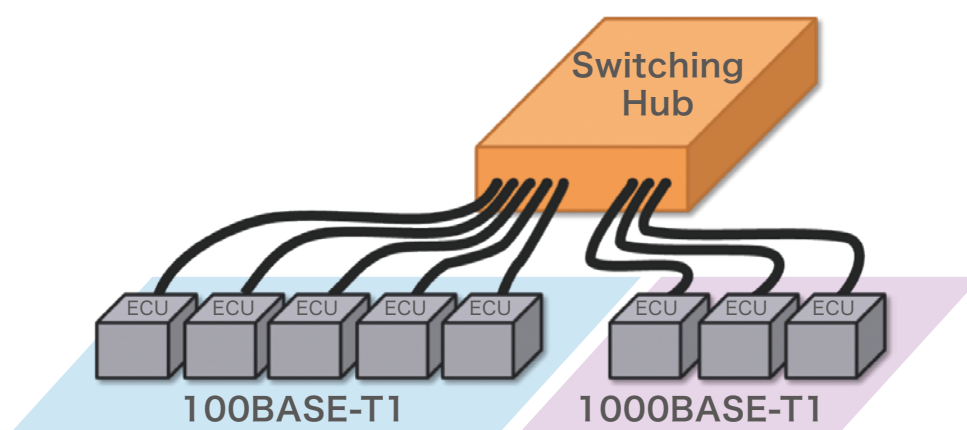
Function

- Transferring data between automotive Ethernet devices

Feature

- Small board design with good vehicle mountability
- Mounted on a small automotive Ethernet connector (4 ports per a connector)
- Transferring data for 100BASE-T1 & 1000BASE-T1

Performance/Specification



Supported protocols & Number of chanel	Ethernet : Comply 100BASE-T1 × 5ch(100Mbps) Comply 1000BASE-T1 × 3ch(1Gbps)
Operating Temperature	-40degC to 85degC