

# Oil Pressure Switch

Mass-Produced Product  
Since 1970

- Essential functions at a low price
- Accumulated experience and reliability in oil pressure detection

## Background or Assignment

Provides a proven pressure switch at a low price as the minimum essential engine protection

## Solutions to Challenges

### Features/Effects

#### 1 Switching at specified pressure

- Turns ON/OFF at 19.6kPa or 29.4kPa
- For activating the warning light

#### 2 Long-standing track record

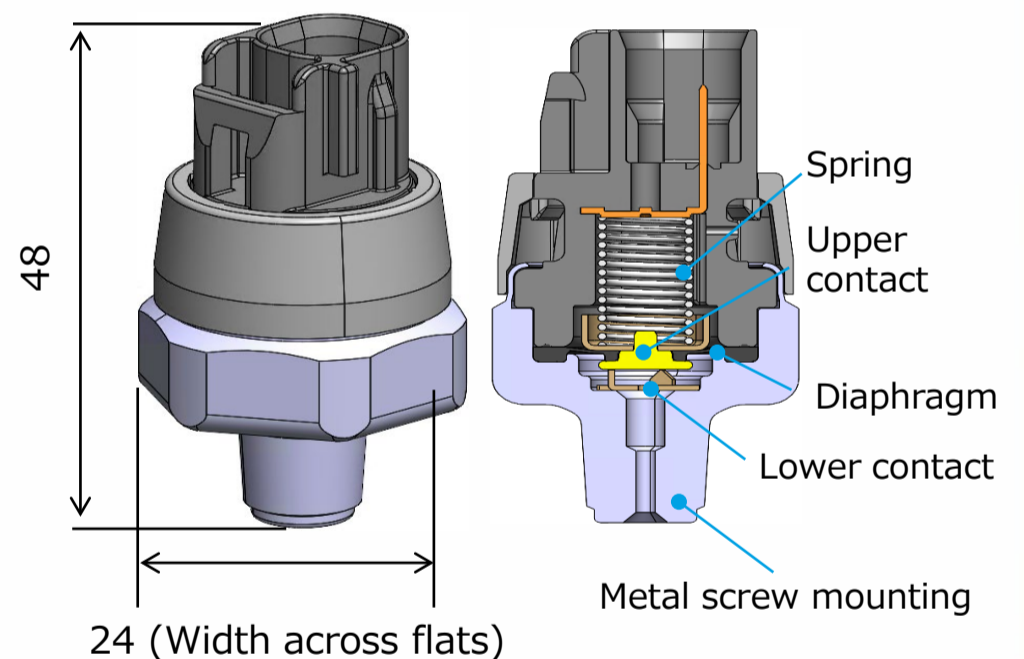
- Released in 1970
- Current annual production : 2.4 million units

#### [Specifications]

Operating pressure: 19.6kPa or 29.4kPa  
Operating temperature: -40°C ~150°C  
Measurement medium: engine oil  
Mass: 40g

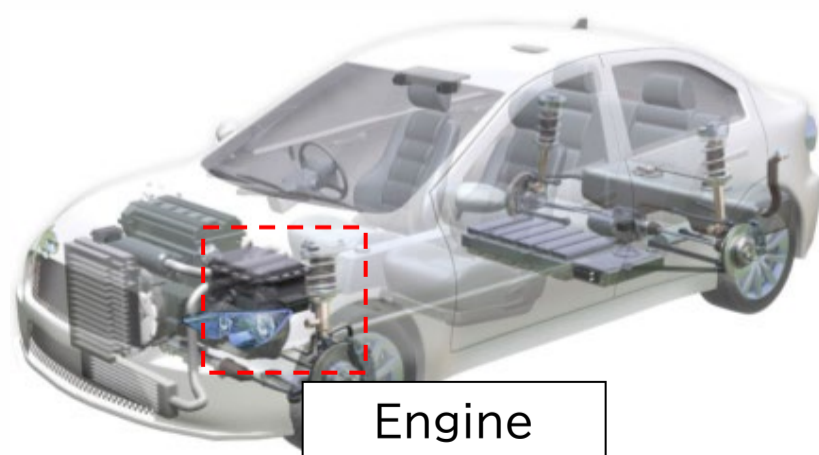
### Structure

Simple structure with springs, metal contacts, and diaphragms



## Usage

### [Mounting position]



### [System]

