

Temperature Sensor (for Gas)

Under development

Mass production available in 2028

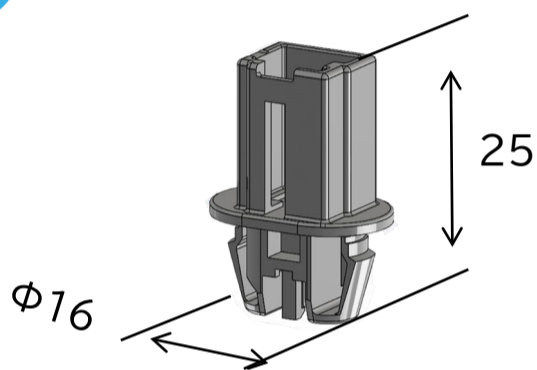
- Temperature sensors using our trusted chip mounting and transfer molding technology
- Reduces variations in temperature measurement by mounting the temperature sensor with high precision

Background or Assignment

Provides gas temperature sensors for various mounting shapes

Solutions to Challenges

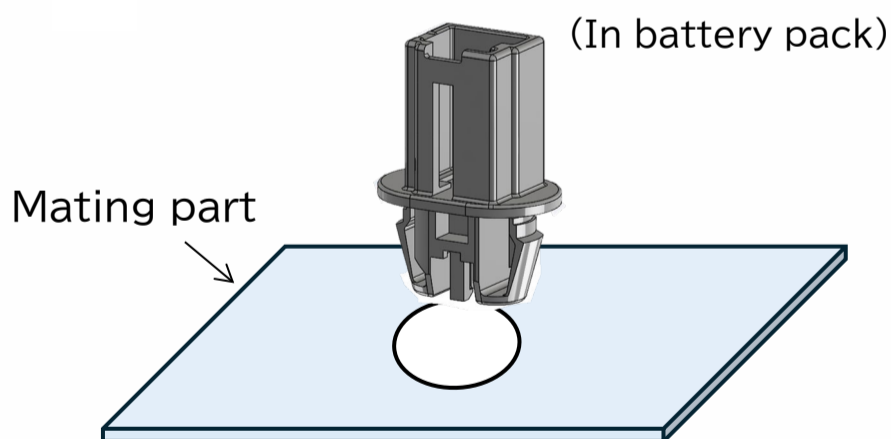
1 Non-waterproof type



Features

- One-touch installation with snap-fit design
- Uses compact connectors for space-saving installation

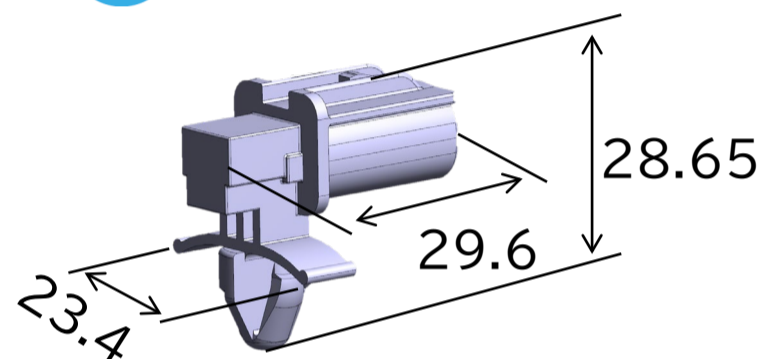
Installation image



Specifications/Functions

Supply voltage: $5.0 \pm 0.5V$
Operating temperature: $-40^{\circ}C$ to $80^{\circ}C$
Resistance value: $10k\Omega \pm 1\%$ *
B constant: $3,435K \pm 1\%$ *
Insulation resistance: $\geq 100M\Omega$
(when DC 1,000V is applied)

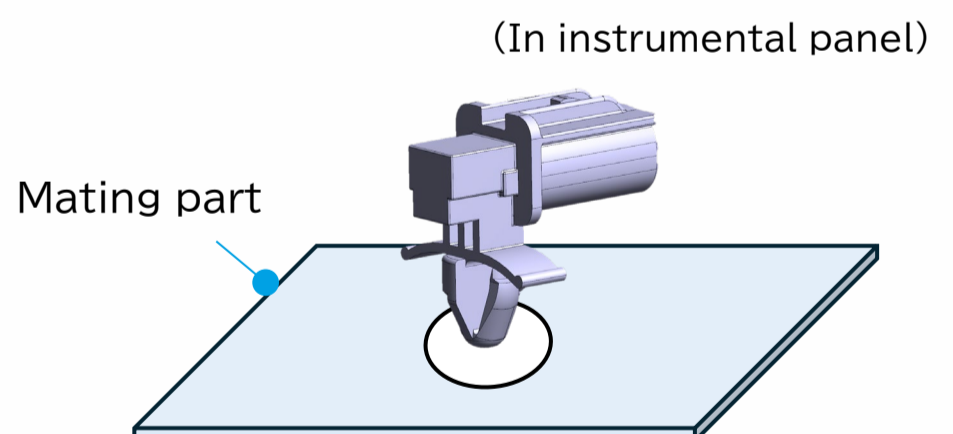
2 Waterproof type



Features

- One-touch installation with snap-fit design
- Can be installed in areas where waterproofing is required

Installation image



Specifications/Functions

Supply voltage: $5.0 \pm 0.5V$
Operating temperature: $-40^{\circ}C$ to $80^{\circ}C$
Resistance value: $10k\Omega \pm 1\%$ *
B constant: $3,435K \pm 1\%$ *
Insulation resistance: $100M\Omega$
(when DC 1,000V is applied)

* Customizable